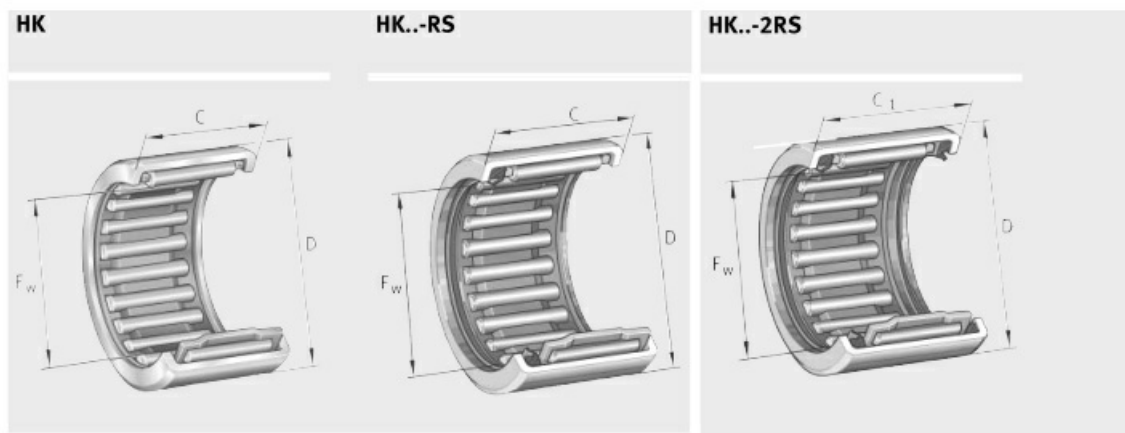


HK5528



Technical sheet of HK5528

Type :	Needle Roller Bearings	
Model :	HK5528	
Main demensions :	55 mm × 63 mm × 28 mm	Bore Dia × Outside Dia × Width Dia
M kg:	0.105	Mass
HS Code :	8482400000	Bearing customs code
d mm:	55	inner ring diameter
D mm:	63	Outer ring diameter
B(T) mm:	28	Overall Width
Cr kN:	39.09	Radial dynamic load rating
C0r kN:	98	Radial static load rating
Oil r/min:	4600	Limiting speed

Detailed parameters and installation dimensions:

Part Number: HK5528

The equivalents designations: 7316570891164

Bearing Type: Needle Roller and Cage Assembly

Size(metric): Inner dia. (d): 55 mm X Outer dia. (D): 63 mm X Width (B): 28 mm or Size: 55 mm * 63 mm * 28 mm

Original Equipment Manufacture(OEM NO.): HK5528

Seals Type: No Seal

Tradebearing(TBS): <https://en.tradebearings.com/>

Email: admin@tradebearings.com
Whatsapp/Mob.: +86 15906428604