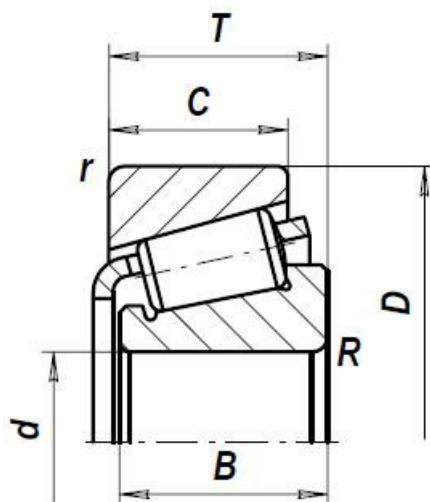


7522



New Designations :	7522	
Main demensions :	110 × 200 × 56	Bore Dia × Outside Dia × Width Dia (mm)
M :	7.37 kg	Weight
HS Code :	8482200000	Bearing customs code
ID :	110 mm	Inside diameter(I.D.)
OD :	200 mm	Outside diameter(O.D.)
T(B) :	56 mm	Thickness(W.D.)
Category :	Tapered Roller Bearings	

Detailed parameters and installation dimensions:

B: 46 mm, C: 53 mm, r(min): 3.5 mm

Part Number: 7522

The equivalents designations: 32222J2

Bearing Type: Tapered Roller Bearings, Single Row

Bearing Size (metric): Inner dia. (d): 110,00 mm X Outer dia. (D): 200,00 mm X Width B (or T): 56,00 mm or
Size: 110,00 mm * 200,00 mm * 56,00 mm

Original Equipment Manufacture(OEM NO.): 7522

Precision Rating: Standard class precision

Web: <https://en.tradebearings.com/>

Email: admin@tradebearings.com