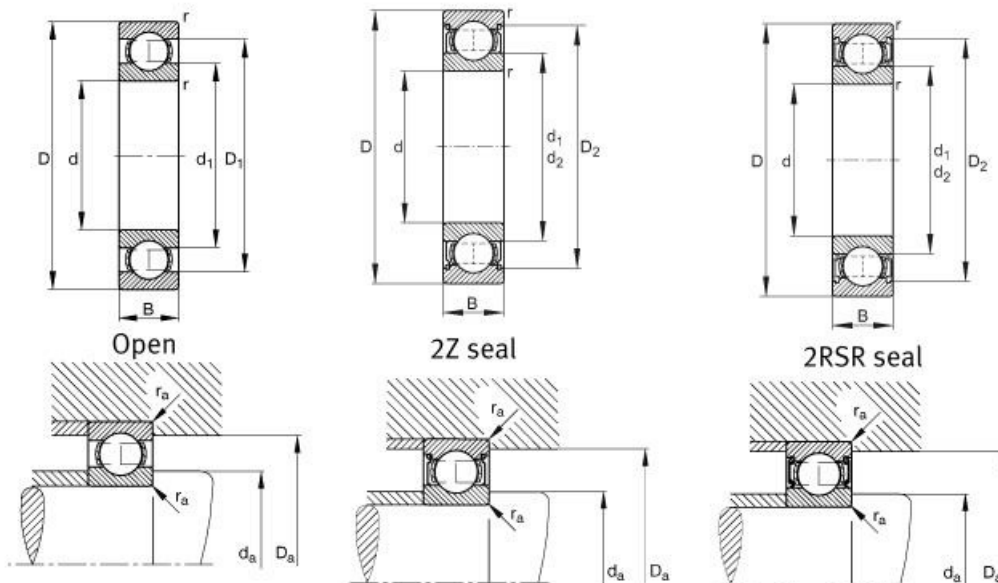


# 61884



## Technical sheet of 61884

Type :	Thin section deep groove ball bearings	
Model :	<a href="#">61884</a>	
Old Code :	1000884	
Main demensions :	420 mm × 520 mm × 46 mm	Bore Dia × Outside Dia × Width Dia
M kg:	21.6	Mass
d mm:	420	inner ring diameter
D mm:	520	Outer ring diameter
B(T) mm:	46	Overall Width
Cr kN:	260	Radial dynamic load rating
C0r kN:	405	Radial static load rating
Grease r/min:	1000	Reference speed
Oil r/min:	1200	Limiting speed

### Detailed parameters and installation dimensions:

rmin: 2.1 mm, damin: 431 mm, Damax: 509 mm, ramax: 2 mm

Tradebearing(TBS): <https://en.tradebearings.com/>

Email: [admin@tradebearings.com](mailto:admin@tradebearings.com)  
Whatsapp/Mob.: +86 15906428604