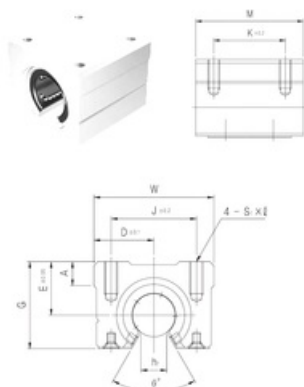


SBR20UU



Technical sheet of SBR20UU

Type :	Linear Ball Bearings	
Model :	SBR20UU	
Main demensions :	20 mm × 24 mm ×	Bore Dia × Outside Dia × Width Dia
M kg:	0.2	Mass
d mm:	20	inner ring diameter
D mm:	24	Outer ring diameter
Cr kN:	0.86	Radial dynamic load rating
C0r kN:	1.37	Radial static load rating

Detailed parameters and installation dimensions:

d: 20 mm
 D: 24 mm
 h₁: 11 mm
 A: 11 mm
 E: 23 mm
 G: 39 mm
 J: 35 mm
 K: 35 mm
 M: 50 mm
 S1x?: M6
 W: 48 mm
 θ: 60 mm
 Mass: 0,2 Kg
 Cr: 0,86 kN
 Cor: 1,37 kN

Tradebearing(TBS): <https://en.tradebearings.com/>

Email: admin@tradebearings.com

Whatsapp/Mob.: +86 15906428604