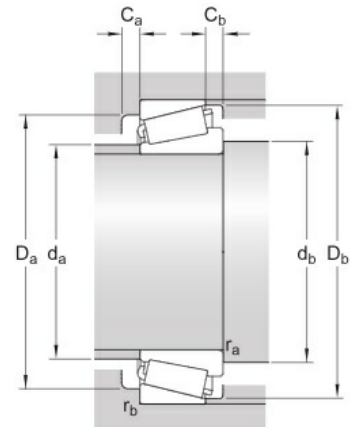
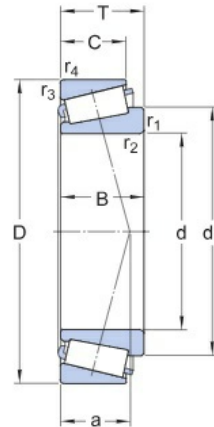


T2ED050



PDF technical sheet of T2ED050

Type :	Single row taper roller bearings	
Model :	T2ED050	
Main dimensions :	50 mm × 100 mm × 36 mm	Bore Dia × Outside Dia × Width Dia
M kg:	1.3	Mass
HS Code :	8482200000	Bearing customs code
d mm:	50	inner ring diameter
D mm:	100	Outer ring diameter
B(T) mm:	36	Overall Width
Cr kN:	188.969	Radial dynamic load rating
C0r kN:	199.684	Radial static load rating
Grease r/min:	5579	Reference speed
Oil r/min:	6605	Limiting speed

Detailed parameters and installation dimensions:

Part Number	T2ED050
Units	Metric
Series	T2ED

Speed ratings (grease) - n_B	5579 min ⁻¹
Speed ratings (oil) - n_G	6605 min ⁻¹
Contact angle - α	12.85 °
Dimension series	2ED
Dimension Inside - $d \varnothing$	50 mm 1.969 inch
Ring Material	GCr15SiMn
Dimension Outside - $D \Phi$	100 mm 3.937 inch
Dimension Thickness - T	36 mm 1.417 inch
Dimension - d_1	73.5 mm 2.894 inch
Cage	Stamping steel cage
Dimension Cone - B	35 mm 1.378 inch
Dimension Cup - C	30 mm 1.181 inch
Fatigue load limit - P_u	21846 N 4910 lbf
Bearing Type	Metric single row tapered roller bearings
Mounting dimensions shaft - d_b min.	61 mm 2.402 inch
Mounting dimensions housing - D_b min.	94 mm 3.701 inch
Mounting dimensions Radius - r_b max.	2.5 mm 0.098 inch
Limiting value - e	0.35
Matched arrangement	No
Dimension Chamfer - $r_{1,2}$ min.	2.5 mm 0.098 inch
Mounting dimensions - C_b min.	6 mm 0.236 inch
Mounting dimensions shaft - d_a max.	59 mm 2.323 inch
Mounting dimensions housing - D_a min.	84 mm 3.307 inch
Flange	No
Calculation coefficient - Y	1.7
Bore	Cylindrical bore
Relubrication	No
Heat stabilized	120 °C (250 °F)
Row NO.	One
Bearing Mass - m	1.3 kg 2.866 lb
Manufacturer Part Code	T2ED 050
Dimension pressure points - a	24.5 mm 0.965 inch
Bearing part	Complete
Mounting dimensions housing - D_a max.	90 mm 3.543 inch
Mounting dimensions - C_a min.	6 mm 0.236 inch
Mounting dimensions Radius - r_a max.	2.5 mm 0.098 inch
Dimension Chamfer - $r_{3,4}$ min.	2.5 mm 0.098 inch
Seal	Open
Roller Material	GCr15SiMn
Calculation coefficient - Y_0	0.9
Radial Dynamic Capacity - C_r	188969 N 42480 lbf
Radial Static Capacity - C_{0r}	199684 N 44888 lbf
Coating	No

Lubricant	No
-----------	----

Tradebearing(TBS) - Bearing Enquiry: <https://en.tradebearings.com/>

Welcome Tradebearings for basic bearing designations and dimensions enquiry system

Email: admin@tradebearings.com

Whatsapp/Mob.: +86 15906428604