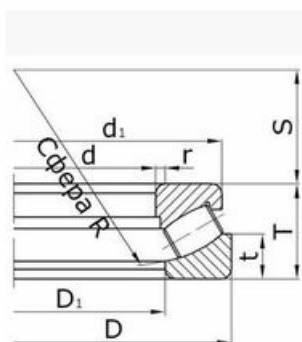


9039488



Technical sheet of 9039488

What are the Benefits of choosing 9039488 bearings?

- **Self-aligning:** Allows for an angular error of 2°-3° between the shaft and housing, effectively compensating for installation deviations or shaft deflection.
- **Ultra-high axial load capacity:** The rollers and raceways have line contact, resulting in a load capacity far exceeding that of thrust ball bearings.
- **Radial force withstand capability:** Capable of withstanding both enormous axial and radial loads.
- **Shock resistance:** Optimized internal design effectively absorbs vibration and impact loads.

Type :	Thrust Spherical Roller Bearings	
Model :	9039488	
Main demensions :	440 mm × 780 mm × 206 mm	Bore Dia × Outside Dia × Width Dia
M kg:	413	Mass
d mm:	440	inner ring diameter
D mm:	780	Outer ring diameter
B(T) mm:	206	Overall Width

Detailed parameters and installation dimensions:

international: 29488 , d1: 745 mm, D1: 576 mm, t: 100 mm, S: 260 mm, r: 9.5 mm

What are the applications of the 9039488 bearing?

- **Hydraulics/Energy:** Used in water turbines, wind turbines, and marine propulsion systems. Self-aligning to compensate for installation errors, capable of withstanding enormous axial water thrust/loads.

- **Mining/Metallurgy:** Used in crushers, vertical mills, and large gearboxes. Resistant to impact loads, and capable of withstanding both axial and partial radial forces.
- **Industrial Pumps/Compressors:** Used in large vertical pumps and screw compressors. High rigidity ensures stable operation under heavy loads.

Tradebearing(TBS): <https://en.tradebearings.com/>

Email: admin@tradebearings.com

Whatsapp/Mob.: +86 15906428604