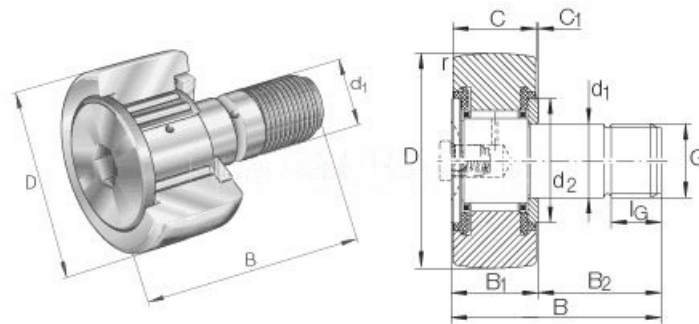


CFE18UU



Technical sheet of CFE18UU

Type :		Cam followers
Model :		CFE18UU
M kg:	0.280	Mass
D mm:	40	Outer ring diameter
B(T) mm:	21.6	Overall Width
Cr kN:	14.8	Radial dynamic load rating
C0r kN:	25.2	Radial static load rating

Tradebearing(TBS): <https://en.tradebearings.com/>

Email: admin@tradebearings.com
 Whatsapp/Mob.: +86 15906428604