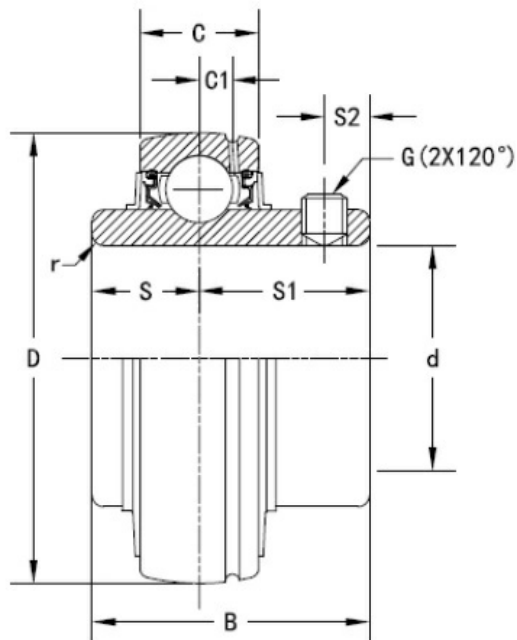


## UC207

Set Screw Locking UC 200 Series Wide Inner Ring Insert Ball Bearings



### Technical sheet of UC207

<b>Type :</b>	Insert Bearing Units	
<b>Model :</b>	<a href="#">UC207</a>	
<b>Old Code :</b>	90507	
<b>Main demensions :</b>	35 mm × 72 mm × 42.9 mm	Bore Dia × Outside Dia × Width Dia
<b>M kg:</b>	0.4	Mass
<b>d mm:</b>	35	inner ring diameter
<b>D mm:</b>	72	Outer ring diameter
<b>B(T) mm:</b>	42.9	Overall Width
<b>Cr kN:</b>	25.7	Radial dynamic load rating
<b>C0r kN:</b>	15.4	Radial static load rating

#### Detailed parameters and installation dimensions:

Part Number	UC207
Locking Type	Set Screw
Set Screw Size	M8x1
Angle between Set Screws	120 °

Dimension Shaft Size	35 mm
Dimension Inside - d $\phi$	35 mm   1.378 inch
Dimension Outside - D $\Phi$	72 mm   2.835 inch
Dimension Inner Ring Width - B	42.9 mm   1.689 inch
Dimension Outer Ring Width - C	20 mm   0.787 inch
Outside Diameter Type	Spherical
Bore Type	Cylindrical
Series	UC200
Seal Type	Double Seal
Units	Metric
Number Of Balls	One
Number Of Set Screws	2
Groove Position - C1	5.7 mm   0.224 inch
Set Screw Distance - S2	6.5 mm   0.256 inch
Rolling Element Material	Bearing Steel
Inner/Outer Ring Material	Bearing Steel
Load	radial
Interchangeable	TIMKEN UC207
Dimension Chamfer - r	1.1 mm   0.043 inch
Center of Bearing from End - S	17.5 mm   0.689 inch
Radial Dynamic Capacity - C <sub>r</sub>	25700 N   5777 lbf
Radial Static Capacity - C <sub>0r</sub>	15400 N   3461 lbf
Rolling Element Type	Ball
Bearing Type	Set Screw Locking UC 200 Series Wide Inner Ring Insert Ball Bearings
Dimension - S1	25.4 mm   1.000 inch

**NOTE:** All other trademarks are the property of their respective owners used for the purpose of compatibility description and product identification only. Tradebearings is not affiliated with, endorsed by, or sponsored by the holders of these trademarks.

#### **UC207 features:**

Installation and removal are very convenient. Simply place the setter sleeve on the shaft, insert it into the bearing bore, and then tighten it with the nut and lock washer. It eliminates the need for high-precision grinding of the shaft (the shaft has lower tolerance requirements), reducing manufacturing costs.

#### **UC207 application:**

Agricultural machinery: Drive shafts for tractors and harvesters.

Conveying equipment: Drive roller shafts and tensioner shafts for belt conveyors and chain conveyors.

Ventilation equipment: Large industrial fans.

Transmission systems: Supports for the output shaft of geared motors.

General machinery used in industries such as textiles and food processing.

**Tradebearing(TBS):** <https://en.tradebearings.com/>

Email: [admin@tradebearings.com](mailto:admin@tradebearings.com)

Whatsapp/Mob.: +86 15906428604

