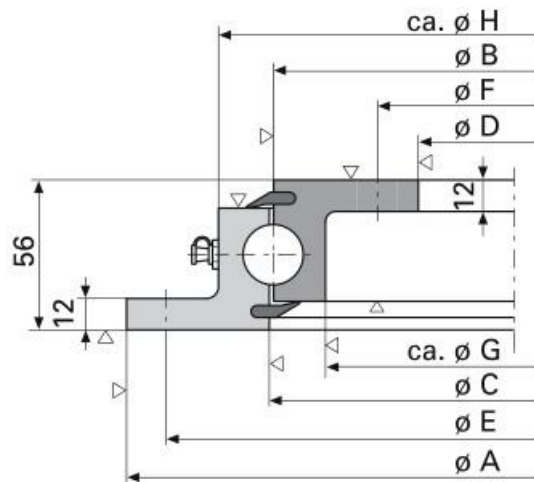


KDL 900-4 W



Technical sheet of KDL 900-4 W

What are the Benefits of choosing KDL 900-4 W bearings?

- **High load-bearing capacity:** Capable of simultaneously withstanding axial, radial, and moment loads, making it ideal for applications involving rotation and high load capacity, suitable for heavy-duty conditions.
- **Flexible steering:** Low-friction design for easy and effortless operation.
- **Compact structure:** Integrated installation saves space and weight.
- **High durability:** Sealed and dirt-resistant, suitable for harsh environments.
- **High precision:** Ensures steering synchronization and stability.
- **Easy installation and maintenance:** Designed for easy installation and maintenance; pre-drilled holes and standardized dimensions accommodate various types of equipment.

Type :	Truck and trailer slewing ring bearings	
Model :	KDL 900-4 W	
Main demensions :	632 mm × 850 mm × 56 mm	Bore Dia × Outside Dia × Width Dia
M kg:	45	Mass
d mm:	632	inner ring diameter
D mm:	850	Outer ring diameter
B(T) mm:	56	Overall Width

Detailed parameters and installation dimensions:

A: 850 mm, B: 739 mm, C: 742 mm, D: 632 mm, E: 820 mm, F: 662 mm, G: 701 mm, H: 781 mm, Permitted axial load (kN): 150

What are the applications of the KDL 900-4 W bearing?

- **Transportation:** Used in heavy-duty flatbed trailers and aircraft towing vehicles, enabling multi-wheel steering under heavy loads, reducing turning radius, and improving dispatching efficiency.
- **Agricultural Machinery:** Used in large agricultural trailers and towed seeders, allowing for flexible steering to adapt to field terrain and reduce damage to crops.
- **Industrial Manufacturing and Logistics:** Used in port container handling vehicles (AGVs) and factory heavy material platforms, enabling flexible movement in confined spaces and improving handling efficiency.
- **Special Vehicles and Engineering Machinery:** Used in oilfield-specific vehicle chassis and wind turbine blade transport vehicles, capable of withstanding extreme heavy loads and adapting to complex road surfaces, ensuring the safe transport of extra-long items.
- **Medical Equipment:** Used in Gamma Knife and CT scan bed rotating frames, providing high-precision, low-noise rotation to ensure accurate diagnostic positioning.
- **Energy Equipment:** Used in wind turbine yaw systems and photovoltaic tracking brackets, driving precise wind or solar tracking to improve power generation efficiency.

Tradebearing(TBS): <https://en.tradebearings.com/>

Email: admin@tradebearings.com

Whatsapp/Mob.: +86 15906428604