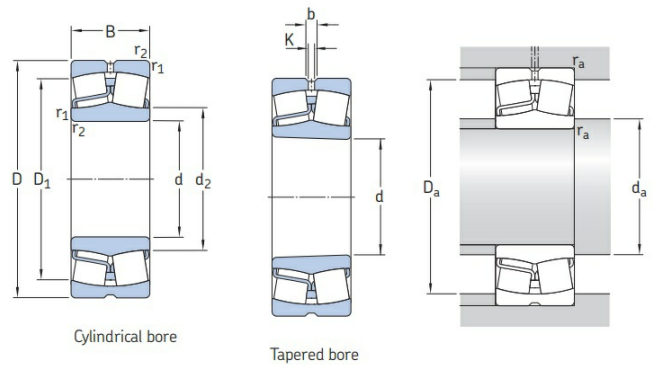


22216CC/W33

Spherical roller bearings, double row



Technical sheet of 22216CC/W33

What are the Benefits of choosing 22216CC/W33 bearings?

- **Self-aligning:** Allows for significant angular errors or shaft deflection between the shaft and bearing housing, effectively compensating for installation errors and shaft deformation.
- **High load capacity:** Featuring a double-row roller structure, it boasts extremely high radial load capacity while also withstanding certain bidirectional axial loads.
- **Adaptable to vibration applications:** Performs excellently under impact and vibration loads, exhibiting good durability.
- **Easy installation:** Models with tapered bores are typically available, allowing for convenient installation at any position on different optical shafts using adapter sleeves or withdrawal sleeves.

Type :	Spherical Roller Bearings	
Model :	22216CC/W33	
Old Code :	53516	
Main demensions :	80 mm × 140 mm × 33 mm	Bore Dia × Outside Dia × Width Dia
M kg:	2.1	Mass
HS Code :	8482300000	Bearing customs code
d mm:	80	inner ring diameter
D mm:	140	Outer ring diameter

B(T) mm:	33	Overall Width
Cr kN:	242.905	Radial dynamic load rating
C_{0r} kN:	269.52	Radial static load rating
Oil r/min:	5963	Limiting speed

Detailed parameters and installation dimensions:

Part Number	22216CC/W33
Series	222series (222..CC W33)
Cage	CC = stamped steel cages
Speed ratings (oil) - n _G	5963 rpm
Internal design	CC = Flangeless inner ring, guide ring centred on the inner ring, two stamped steel cages
Seal	Open
Reference From	SKF 22216CC/W33
Principal Dimensions Inside - d φ (mm)	80
Inside - d φ tolerance	-0.015 mm to 0
Principal Dimensions Outside - D Φ (mm)	140
Outside - D Φ tolerance	-0.018 mm to 0
Principal Dimensions Width - B (mm)	33
Width - B tolerance	-0.06 mm to 0
Lubrication	W33 = Annular groove and three lubrication holes in the outer ring
Rows NO.	2
Bore Type	Z = cylindrical bore
Principal Dimensions Inside - d φ (inch)	3.150
Principal Dimensions Outside - D Φ (inch)	5.512
Principal Dimensions Width - B (inch)	1.299
RIC	Normal
Load Direction	Combined
Bearing Mass - m	2.1 kg 4.630 lb
Permissible angular misalignment	1.5 degrees
Dynamic Radial Capacity - C _r	54399 lbf 241966 N
Static Radial Capacity - C _{0r}	60501 lbf 269108 N
Heat stabilization	392 °F (200 °C)
Temperature - T(min)	-30 °C
Temperature - T(max)	+200 °C
Dimension - d ₂	94.7 mm 3.728 inch
Units	Metric

Roller bearing type	Spherical
Dimension - D ₁	124 mm 4.882 inch
Bearing Type	Spherical roller bearings, double row
Manufacturer Part Code	22216 CC/W33
Ring material	GCr15SiMn
Dimension - b	6 mm 0.236 inch
Roller material	GCr15SiMn
Dimension - K	3 mm 0.118 inch
Dimension - r ₁ ,r ₂ (min.)	2 mm 0.079 inch

What are the applications of the 22216CC/W33 bearing?

- **Mining/Metallurgy/Cement:** Used in crushers and vibrating screens. Impact resistant, withstands extreme heavy loads, and adaptable to harsh environments.
- **Paper/Steel:** Used in rolling mills and roller conveyors. Automatic self-aligning compensation effectively addresses shaft deflection or misalignment.
- **Industrial Transmission:** Used in speed reducers and fans. Smooth operation, long service life, and withstands complex composite loads.

Tradebearing(TBS): <https://en.tradebearings.com/>

Email: admin@tradebearings.com
 Whatsapp/Mob.: +86 15906428604