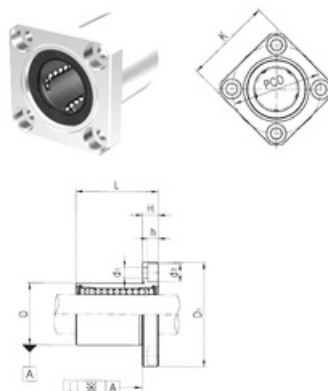


LMK8UU



Technical sheet of LMK8UU

Type :	Linear Ball Bearings	
Model :	LMK8UU	
Main demensions :	8 mm × 15 mm × 24 mm	Bore Dia × Outside Dia × Width Dia
M kg:	0.04	Mass
d mm:	8	inner ring diameter
D mm:	15	Outer ring diameter
B(T) mm:	24	Overall Width
Cr kN:	0.26	Radial dynamic load rating
COr kN:	0.4	Radial static load rating

Detailed parameters and installation dimensions:

d: 8 mm
 D: 15 mm
 d1: 3,4 mm
 d2: 6,5 mm
 h: 3,3 mm
 D1: 32 mm
 H: 5 mm
 K: 25 mm
 L: 24 mm
 PCD: 24 mm
 (C): 12
 Mass: 0,04 Kg
 Cr: 0,26 kN
 Cor: 0,4 kN

Part Number: LMK8UU THK

Technical description (UU): UU=Rubber Seal Attached On Both Ends Of Spline Nut.

Bearing Type: Linear Ball Bearing

Size(metric): Bore size (d): 8 mm X Outer dia. (D): 15 mm X Width (B): 24 mm or Size: 8 mm * 15 mm * 24 mm

Original Equipment Manufacture(OEM NO.): LMK8UU

Seals Type: 2RS (Rubber Seal on Both Sides)

Tradebearing(TBS): <https://en.tradebearings.com/>

Email: admin@tradebearings.com

Whatsapp/Mob.: +86 15906428604