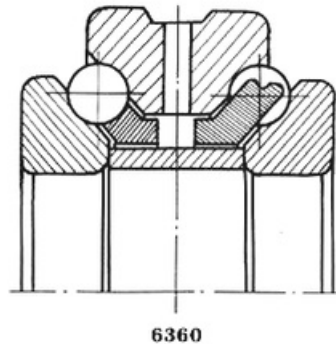


178832 E



Technical sheet of 178832 E

Type :	Thrust Ball Bearings	
Model :	178832 E	
Main demensions :	160 mm × 240 mm × 96 mm	Bore Dia × Outside Dia × Width Dia
M kg:	11.59	Mass
HS Code :	8482104000	Bearing customs code
d mm:	160	inner ring diameter
D mm:	240	Outer ring diameter
B(T) mm:	96	Overall Width

NOTE: All other trademarks are the property of their respective owners, used for the purpose of compatibility description and product identification only. Tradebearings is not affiliated with, endorsed by, or sponsored by the holders of these trademarks.

178832 E features:

Simple structure and low cost: Composed of simple washer-shaped raceways (shaft race, housing race) and ball-cage assemblies, the manufacturing process is relatively mature and the cost is low.

High axial load capacity (in compact size): Using point-contact steel balls, although the rigidity is not as high as line-contact rollers, it can provide a high unidirectional axial load capacity within a small installation space.

Low friction and good high-speed performance: Low rolling friction, especially under high-speed, light-load pure axial conditions, resulting in smooth operation and relatively low heat generation.

Easy installation: The structure is separable; the shaft race, housing race, and ball-cage assemblies can be installed independently. Installation of unidirectional thrust ball bearings is particularly simple.

Multiple types to meet different needs:

Single-directional thrust ball bearings: Can only withstand axial force in one direction.

Double-direction thrust ball bearings: Can withstand axial force in two directions, consisting of one shaft race, two housing races, and two sets of ball-cage assemblies.

Thrust ball bearings with self-aligning races: The races are spherical and can automatically align with the spherical supports of the bearing housing to compensate for minor installation misalignment.

178832 E application:

Automotive Industry: Clutch release mechanisms, steering systems, transmissions.

General Industrial Machinery: Vertical water pumps, vertical motors, gearboxes, crane hooks.

Machine Tools and Equipment: Machine tool spindles, auxiliary positioning for slewing bearings.

Household Appliances and Everyday Equipment: Household washing machines, electric drills, mixers.

Agricultural and Construction Machinery: In various drive shafts and rotating components.

oil and gas drilling rigs

Tradebearing(TBS): <https://en.tradebearings.com/>

Email: admin@tradebearings.com

Whatsapp/Mob.: +86 15906428604