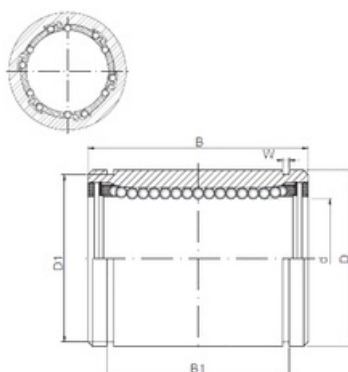


LM16UU



Technical sheet of LM16UU

Type :	Linear Ball Bearings	
Model :	LM16UU	
Main demensions :	16 mm × 28 mm × 37 mm	Bore Dia × Outside Dia × Width Dia
M kg:	0.05	Mass
d mm:	16	inner ring diameter
D mm:	28	Outer ring diameter
B(T) mm:	37	Overall Width
Cr kN:	0.71	Radial dynamic load rating
C0r kN:	0.53	Radial static load rating

Detailed parameters and installation dimensions:

d: 16 mm
 D: 28 mm
 B: 37 mm
 B1: 26,5 mm
 D1: 27 mm
 W: 1,6 mm
 Mass: 0,05 Kg
 Cr: 0,71 kN
 Cor: 0,53 kN

Part Number: LM16UU ZEN

Technical description (UU): UU=Sealed Type.

Bearing Type: Linear Ball Bearing

Inner Dimension d (mm): 16,00

Original Equipment Manufacture(OEM NO.): LM16UU
Seals Type: 2RS (Rubber Seal on Both Sides)

NOTE: All other trademarks are the property of their respective owners used for the purpose of compatibility description and product identification only. Tradebearings is not affiliated with, endorsed by, or sponsored by the holders of these trademarks.

Tradebearing(TBS): <https://en.tradebearings.com/>

Email: admin@tradebearings.com

Whatsapp/Mob.: +86 15906428604