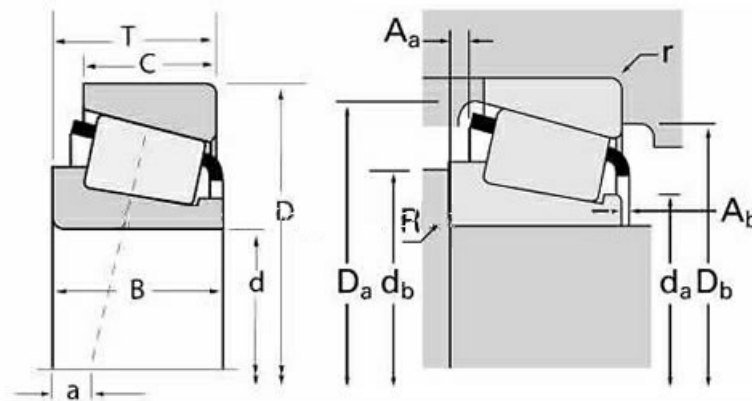


4T-332/32



Technical sheet of 4T-332/32

Type :	Tapered Roller Bearings	
Model :	4T-332/32	
Old Code :	332/32	
Main demensions :	32 mm × 65 mm × 26 mm	Bore Dia × Outside Dia × Width Dia
M kg:	0.395	Mass
d mm:	32	inner ring diameter
D mm:	65	Outer ring diameter
B(T) mm:	26	Overall Width
Cr kN:	70.5	Radial dynamic load rating
C0r kN:	85	Radial static load rating
Grease r/min:	6000	Reference speed
Oil r/min:	8000	Limiting speed

Tradebearing(TBS): <https://en.tradebearings.com/>

Email: admin@tradebearings.com

Whatsapp/Mob.: +86 15906428604