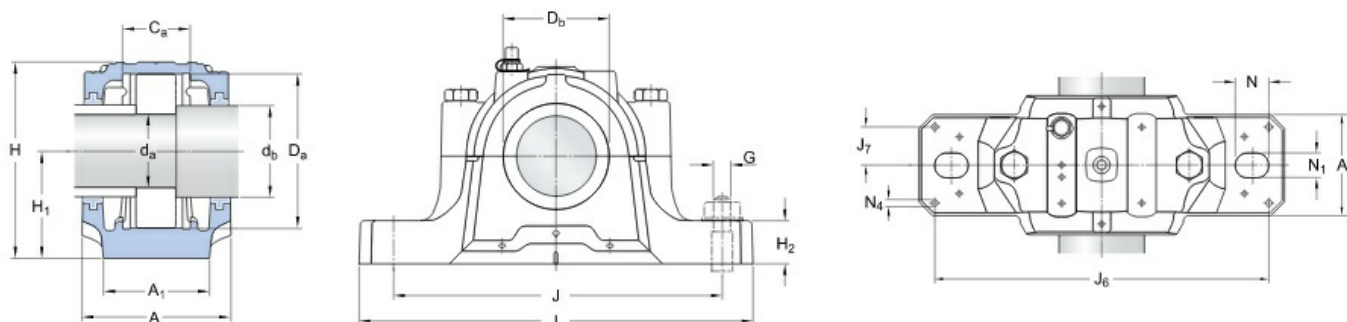


## SNL 522-619 ( 22319 )



### Technical sheet of SNL 522-619 ( 22319 )

<b>Type :</b>	Plummer block housings	
<b>Model :</b>	<a href="https://en.tradebearings.com/SNL_522_619_(22319)">SNL 522-619 ( 22319 )</a>	
<b>Main demensions :</b>	95 mm × 242 mm × 175 mm	Bore Dia × Outside Dia × Width Dia
<b>d mm:</b>	95	inner ring diameter
<b>D mm:</b>	242	Outer ring diameter
<b>B(T) mm:</b>	175	Overall Width

#### Detailed parameters and installation dimensions:

da: 95 mm, H: 242 mm, A: 175 mm, db: 110 mm, H1: 125 mm, L: 410 mm, 22319

**Tradebearing(TBS) - Bearing Enquiry: <https://en.tradebearings.com/>**

Welcome Tradebearings for basic bearing designations and dimensions enquiry system

Email: [admin@tradebearings.com](mailto:admin@tradebearings.com)

Whatsapp/Mob.: +86 15906428604