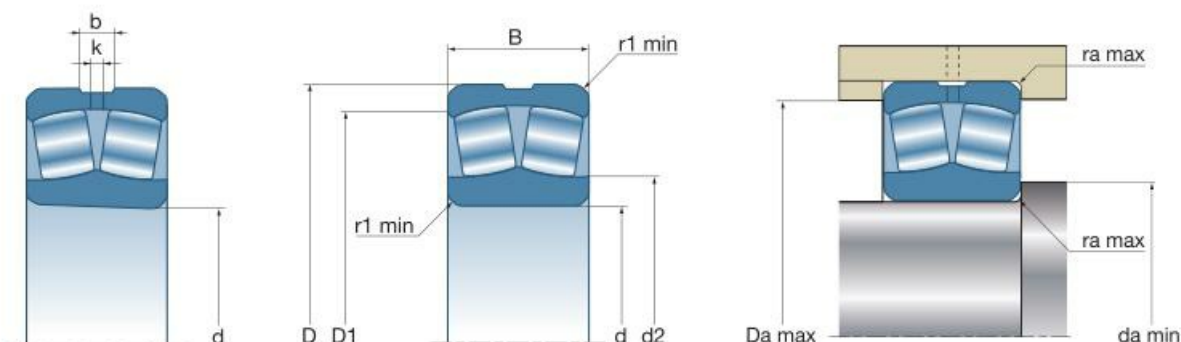


239/630L1



Technical sheet of 239/630L1

Type :	Spherical Roller Bearings	
Model :	239/630L1	
Main demensions :	630 mm × 850 mm × 165 mm	Bore Dia × Outside Dia × Width Dia
M kg:	277	Mass
HS Code :	8482300000	Bearing customs code
d mm:	630	inner ring diameter
D mm:	850	Outer ring diameter
B(T) mm:	165	Overall Width
Cr kN:	3700	Radial dynamic load rating
C0r kN:	9250	Radial static load rating
Grease r/min:	420	Reference speed
Oil r/min:	650	Limiting speed

Detailed parameters and installation dimensions:

Number of holes: 8 , b: 27 mm, k: 16 mm, r1(min): 6 mm, d2: 705 mm, D1: 780.4 mm, da(min): 658 mm, Da(max): 822 mm, ra(max): 5 mm, Cu: 617 KN, e: 0.18 , Y1: 3.66 , Y2: 5.45 , Y0: 3.58

NOTE: All other trademarks are the property of their respective owners used for the purpose of compatibility description and product identification only. Tradebearings is not affiliated with, endorsed by, or sponsored by the holders of these trademarks.

Email: admin@tradebearings.com
Whatsapp/Mob.: +86 15906428604