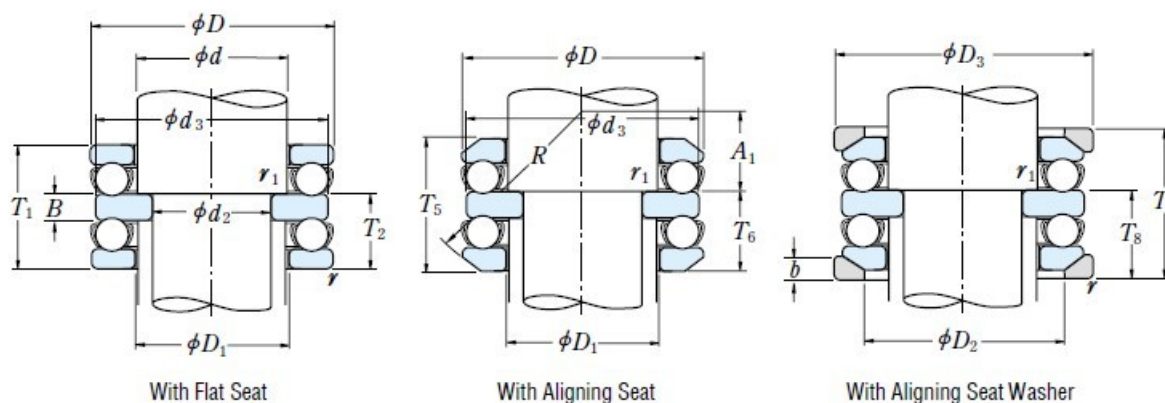


54410



Technical sheet of 54410

Type :	Thrust Ball Bearings	
Model :	54410	
Main demensions :	50 mm × 110 mm × 83.2 mm	Bore Dia × Outside Dia × Width Dia
M kg:	3.59	Mass
d mm:	50	inner ring diameter
D mm:	110	Outer ring diameter
B(T) mm:	83.2	Overall Width
Cr kN:	147	Radial dynamic load rating
C0r kN:	288	Radial static load rating
Grease r/min:	1400	Reference speed
Oil r/min:	2000	Limiting speed

Tradebearing(TBS): <https://en.tradebearings.com/>

Email: admin@tradebearings.com
 Whatsapp/Mob.: +86 15906428604