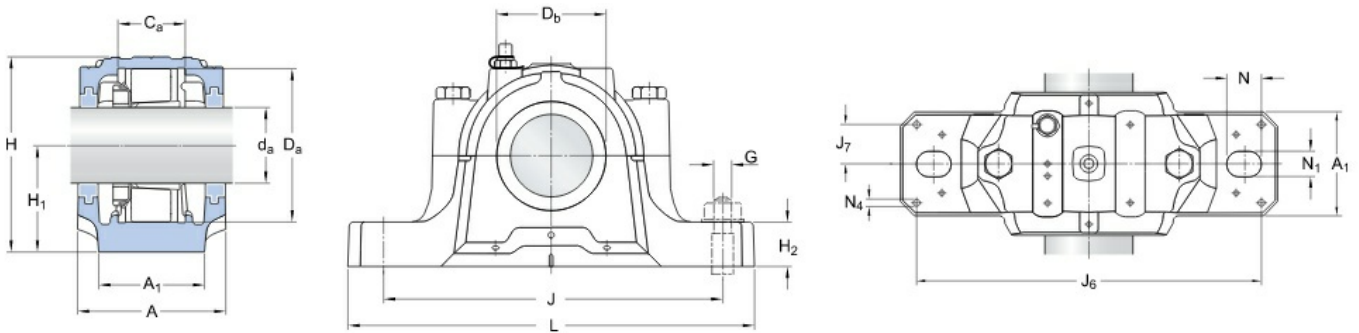


SNL 522-619 (1319 K)



Technical sheet of SNL 522-619 (1319 K)

Type :	Plummer block housings	
Model :	SNL 522-619 (1319 K)	
Main demensions :	82.55 mm × 242 mm × 175 mm	Bore Dia × Outside Dia × Width Dia
d mm:	82.55	inner ring diameter
D mm:	242	Outer ring diameter
B(T) mm:	175	Overall Width

Detailed parameters and installation dimensions:

da: 82.55 mm, H: 242 mm, A: 175 mm, H1: 125 mm, L: 410 mm, 1319 K

Tradebearing(TBS) - Bearing Enquiry: <https://en.tradebearings.com/>

Welcome Tradebearings for basic bearing designations and dimensions enquiry system

Email: admin@tradebearings.com

Whatsapp/Mob.: +86 15906428604