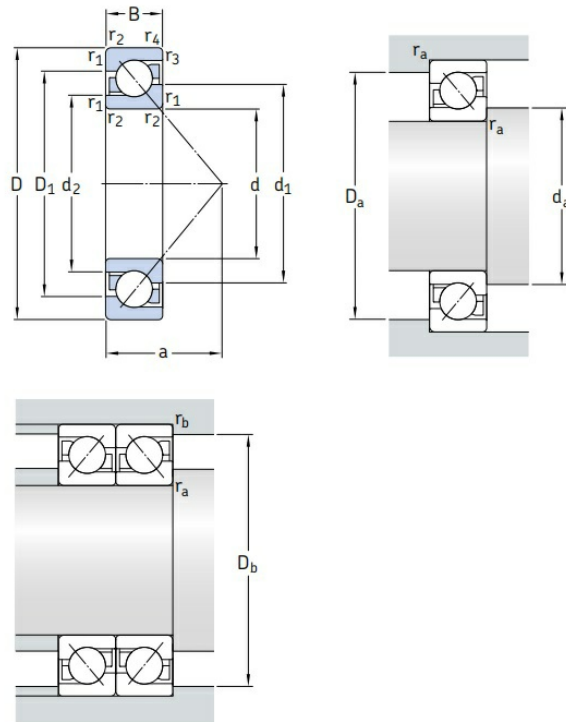


7313BECBP



Technical sheet of 7313BECBP

What are the Benefits of choosing 7313BECBP bearings?

- **High speed and high precision:** Extremely high limiting speed, rotational accuracy reaches P5 level or higher, suitable for precision equipment.
- **Flexible assembly:** A single unit can withstand unidirectional axial and radial forces; bidirectional load-bearing or anti-tipping can be achieved through DB/DF/DT combinations.
- **Compact structure:** Small footprint and light weight, suitable for small and medium-sized equipment.

Type :	Single row angular contact ball bearings	
Model :	7313BECBP	
Main demensions :	65 mm × 140 mm × 33 mm	Bore Dia × Outside Dia × Width Dia
M kg:	2.15	Mass
HS Code :	8482103000	Bearing customs code
d mm:	65	inner ring diameter
D mm:	140	Outer ring diameter
B(T) mm:	33	Overall Width

Cr kN:	115.927	Radial dynamic load rating
C_{0r} kN:	86.325	Radial static load rating
Grease r/min:	5965	Reference speed
Oil r/min:	6269	Limiting speed

Detailed parameters and installation dimensions:

Part Number	7313BECBP
Cage	P = Glass fibre reinforced PA66 cage, ball centred
Series	73 BE (73..BECBP)
Bearing Mass - m	2.15 kg 4.740 lb
Internal design	BE = Single row bearing with a 40 °contact angle, Optimized internal design
Principal Dimensions Inside - d φ (mm)	65
Principal Dimensions Outside - D Φ (mm)	140
Principal Dimensions Width - B (mm)	33
Matching	CB = Bearing for universal matching. Two bearings arranged back-to-back or face-to-face have Normal axial internal clearance.
Rows NO.	One
Fatigue load limit - P _u	3637 N 817 lbf
Temperature - T(min)	-30 °C
Temperature - T(max)	+110 °C
Speed ratings (grease) - n _B	5965 r/min
Speed ratings (oil) - n _G	6269 r/min
Contact type	2-point contact
Units	Metric
Dimension - d ₁	94.2 mm 3.709 inch
Dimension - d ₂	78.5 mm 3.091 inch
Dimension - D ₁	113 mm 4.449 inch
Dynamic Radial Capacity - C _r	115927 N 26060 lbf
Static Radial Capacity - C _{0r}	86325 N 19405 lbf
Bore Type	Cylindrical Bore
Load Direction	Angular Contact
Seal	Open
Dimension - r ₁ , r ₂ (min.)	2.1 mm 0.083 inch
Dimension - r ₃ , r ₄ (min.)	1.1 mm 0.043 inch
Dimension - a	60 mm 2.362 inch
Contact angle - α	40
Abutment dimensions - D _b (max.)	133 mm 5.236 inch

Accuracy class	Class P6
Manufacturer Part Code	7313 BECBP
Abutment dimensions - d_a (min.)	77 mm 3.031 inch
Abutment dimensions - D_a (max.)	128 mm 5.039 inch
Ring type	inner ring(1), outer rings(1)
Fillet dimensions - r_a (max.)	2 mm 0.079 inch
Fillet dimensions - r_b (max.)	1 mm 0.039 inch
Bearing material	GCr15SiMn
Minimum load coefficient - K_a	1.6
Minimum load coefficient - K_r	0.1
Principal Dimensions Inside - $d \varphi$ (inch)	2.559
Principal Dimensions Outside - $D \Phi$ (inch)	5.512
Principal Dimensions Width - B (inch)	1.299
Ring Material	GCr15SiMn
Coefficient (<>, ><) - Y_2	0.93
Coefficient (single, tandem) - Y_2	0.57
Coefficient (<>, ><) - Y_1	0.55
Coefficient (<>, ><) - Y_0	0.52
Lubricant	Without
Coefficient (single, tandem) - Y_0	0.26
Coefficient (<>, ><) - X	0.57
Coefficient (single, tandem) - X	0.35
Limiting value - e	1.14
Coefficient - A	0.112

What are the applications of the 7313BECBP bearing?

- **Motor/Machine Tool Spindles:** Used in high-speed motors, electric spindles, and grinding heads. High limiting speed, P5/P4 rotational accuracy ensures smooth machining.
- **Automotive Transmissions:** Used in gearboxes, compressors, and water pumps. Withstands complex loads, high reliability, and adaptable to medium speeds.
- **General Purpose Pumps/Fans:** Used in centrifugal pumps and cooling fans. Compact structure, low friction, long service life, and maintenance-free operation.
- **Light Industry/Textiles:** Used in textile spindles and packaging machinery. High speed, low vibration, suitable for continuous operation.

Tradebearing(TBS): <https://en.tradebearings.com/>

Email: admin@tradebearings.com

Whatsapp/Mob.: +86 15906428604