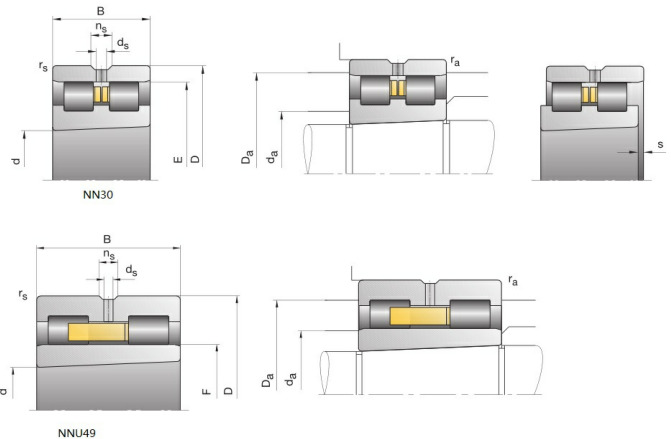


NNU4936-S-M-SP-C3

Cylindrical roller bearing, double row, separable, with cage



Technical sheet of NNU4936-S-M-SP-C3

What are the Benefits of choosing NNU4936-S-M-SP-C3 bearings?

- **Ultra-high speed/Low heat generation:** Optimized internal design and the use of a new PEEK cage significantly reduce friction, supporting ultra-high speeds with less temperature rise.
- **Extremely high operating accuracy:** Strictly adhering to ISO P4 or even higher tolerances ensures precise radial runout and stable rotation of the spindle even at high speeds.
- **High radial load capacity/High rigidity:** Designed to withstand enormous radial cutting forces, it provides extremely high system rigidity, ensuring machining quality.
- **Long life/High reliability:** Utilizing special steel and optimized roller profiles improves stress distribution and extends bearing life; the hybrid ceramic ball version offers even better results.

Type :	Double row cylindrical roller bearings	
Model :	NNU4936-S-M-SP-C3	
Main dimensions :	180 mm × 250 mm × 69 mm	Bore Dia × Outside Dia × Width Dia
M kg:	9.96	Mass
HS Code :	8482500090	Bearing customs code
d mm:	180	inner ring diameter
D mm:	250	Outer ring diameter
B(T) mm:	69	Overall Width

Cr kN:	404.842	Radial dynamic load rating
C_{0r} kN:	849.728	Radial static load rating
Grease r/min:	2946	Reference speed
Oil r/min:	3565	Limiting speed

Detailed parameters and installation dimensions:

Part Number	NNU4936-S-M-SP-C3
Series	NNU49...S-M-SP
Dimension series	49 (Light series)
Reference speed (grease) - n_B	2946 min ⁻¹
Limiting speed (oil) - n_G	3565 min ⁻¹
Design Type	NNU = inner ring without ribs, ribs on inner ring
External form	S = Lubricating groove and holes on the outer ring
Bearing Mass - m	9.96 kg 21.958 lb
Reference From	FAG NNU4936-S-M-SP-C3
Dimension Inside - d ϕ (mm)	180
Dimension Outside - D Φ (mm)	250
Dimension Width - B (mm)	69
Bore Type	Z = Cylindrical Bore
Cage	M = Brass cage, guided by rollers
Dimension - r(min.)	2 mm 0.079 inch
Dimension - s	3.2 mm 0.126 inch
Dimension - F	202 mm 7.953 inch
Bearing Type	Cylindrical roller bearing, double row, separable, with cage
Mounting dimensions - r_a (max.)	2 mm 0.079 inch
Rows NO.	2
Dimension - d_s	4.8 mm 0.189 inch
Dimension - n_s	9.5 mm 0.374 inch
Roller Material	Bearing steel
RIC	C3
Radial Dynamic Capacity - C_r	404842 N 91008 lbf
Radial static Capacity - C_{0r}	849728 N 191018 lbf
Dimension Inside - d ϕ (inch)	7.087
Dimension Outside - D Φ (inch)	9.843
Dimension Width - B (inch)	2.717
Temperature - T(min)	-30°C
Temperature - T(max)	150°C
Alias	Non-locating bearings
Mounting dimensions - d_a (h12)	200 mm 7.874 inch
Mounting dimensions - D_a (H12)	232 mm 9.134 inch
Accuracy class	SP = Super Precision
Radial rigidity - C_r	5125 N/ μ m

What are the applications of the NNU4936-S-M-SP-C3 bearing?

- **Machine tool spindles:** High-speed turning and milling. Ultra-high speed and extremely high radial accuracy ensure high-quality machined surfaces.
- **High-speed motors:** Electric spindles and high-frequency spindles. Low friction and low heat generation enable stable high-speed operation over extended periods.
- **Precision machinery:** Printing presses, textile machinery, and testing equipment. High rigidity and smooth rotation ensure consistent operation.
- **Industrial transmissions:** High-speed reducers and compressor rotors. Capable of withstanding high radial loads and adapting to continuous high-speed operating conditions.

Tradebearing(TBS): <https://en.tradebearings.com/>

Email: admin@tradebearings.com
Whatsapp/Mob.: +86 15906428604