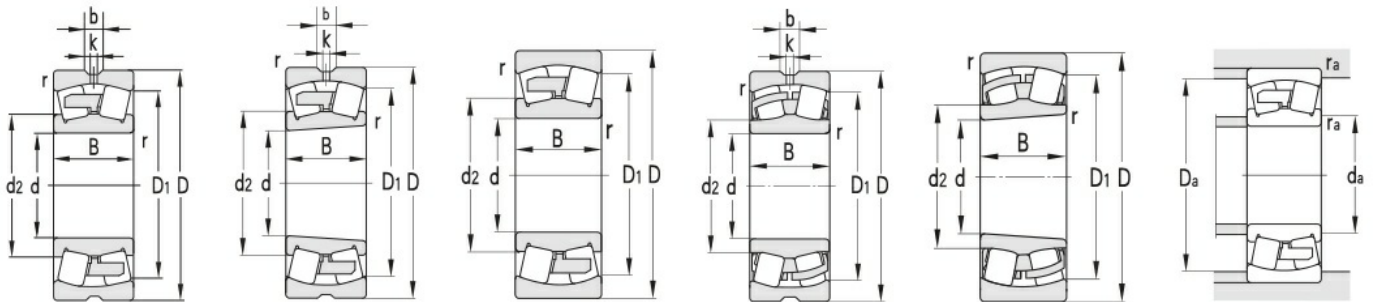


## 22222CA



### PDF technical sheet of 22222CA

<b>Type :</b>	Spherical Roller Bearings	
<b>Model :</b>	<a href="#">22222CA</a>	
<b>Old Code :</b>	53522	
<b>Main demensions :</b>	110 mm × 200 mm × 53 mm	Bore Dia × Outside Dia × Width Dia
<b>M kg:</b>	7.43	Mass
<b>HS Code :</b>	8482300000	Bearing customs code
<b>d mm:</b>	110	inner ring diameter
<b>D mm:</b>	200	Outer ring diameter
<b>B(T) mm:</b>	53	Overall Width
<b>Cr kN:</b>	530	Radial dynamic load rating
<b>COr kN:</b>	610	Radial static load rating
<b>Grease r/min:</b>	2000	Reference speed
<b>Oil r/min:</b>	2800	Limiting speed

#### Detailed parameters and installation dimensions:

r(min): 2.1 mm, d2: 139 mm, D1: 173 mm, b: 53 mm, k: 4 mm, da(min): 122 mm, Da(max): 188 mm, ra(max): 2 mm, e: 0.26 , y1: 2.6 , y2: 3.9 , y0: 2.5

**Tradebearing(TBS) - Bearing Enquiry: <https://en.tradebearings.com/>**

Welcome Tradebearings for basic bearing designations and dimensions enquiry system

Email: [admin@tradebearings.com](mailto:admin@tradebearings.com)

Whatsapp/Mob.: +86 15906428604