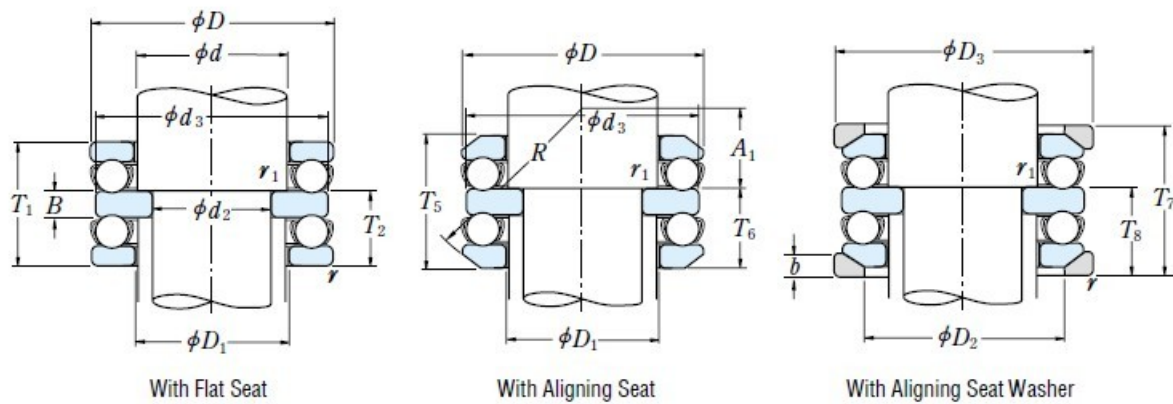


## 52332X



### Technical sheet of 52332X

<b>Type :</b>	Thrust Ball Bearings	
<b>Model :</b>	<a href="https://en.tradebearings.com/52332X">52332X</a>	
<b>Main demensions :</b>	160 mm × 270 mm × 153 mm	Bore Dia × Outside Dia × Width Dia
<b>M kg:</b>	35.1	Mass
<b>d mm:</b>	160	inner ring diameter
<b>D mm:</b>	270	Outer ring diameter
<b>B(T) mm:</b>	153	Overall Width
<b>Cr kN:</b>	475	Radial dynamic load rating
<b>C0r kN:</b>	1570	Radial static load rating
<b>Grease r/min:</b>	600	Reference speed
<b>Oil r/min:</b>	900	Limiting speed

**Tradebearing(TBS):** <https://en.tradebearings.com/>

Email: [admin@tradebearings.com](mailto:admin@tradebearings.com)  
 Whatsapp/Mob.: +86 15906428604