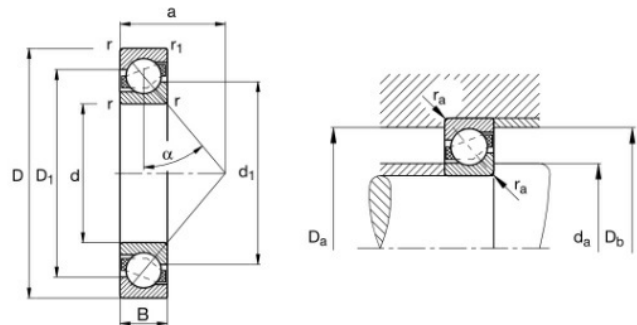


7216-B-JP-UO

Angular contact ball bearings, single row



Technical sheet of 7216-B-JP-UO

What are the Benefits of choosing 7216-B-JP-UO bearings?

- **High speed and high precision:** Extremely high limiting speed, rotational accuracy reaches P5 level or higher, suitable for precision equipment.
- **Flexible assembly:** A single unit can withstand unidirectional axial and radial forces; bidirectional load-bearing or anti-tipping can be achieved through DB/DF/DT combinations.
- **Compact structure:** Small footprint and light weight, suitable for small and medium-sized equipment.

Type :	Single row angular contact ball bearings	
Model :	7216-B-JP-UO	
Main demensions :	80 mm × 140 mm × 26 mm	Bore Dia × Outside Dia × Width Dia
M kg:	1.473	Mass
HS Code :	8482103000	Bearing customs code
d mm:	80	inner ring diameter
D mm:	140	Outer ring diameter
B(T) mm:	26	Overall Width
Cr kN:	84.995	Radial dynamic load rating
C0r kN:	71.974	Radial static load rating
Grease r/min:	4947	Reference speed
Oil r/min:	6384	Limiting speed

Detailed parameters and installation dimensions:

Part Number	7216-B-JP-UO
Design Type	B = Modified internal construction
Series	72..-B-XL-JP
X-Life	XL
Limiting speed (oil) - n_G	6384 min ⁻¹
Reference speed (grease) - n_B	4947 min ⁻¹
Bearing Mass - m	1.473 kg 3.247 lb
Reference From	FAG 7216-B-JP-UO
Dimension Inside - d ϕ	80 mm 3.150 inch
Dimension Outside - D Φ	140 mm 5.512 inch
Dimension Width - B	26 mm 1.024 inch
Rows NO.	single
Accuracy class	PN
Dimension - r(min.)	2 mm 0.079 inch
Dimension - r_1 (min.)	1 mm 0.039 inch
Seal	Open
Bearing pair	UO = Universal design for mounting in pairs, bearing pair is clearance-free in O and X arrangement
Dimension - D_1	117.24 mm 4.616 inch
Radial static Capacity - C_{0r}	71974 N 16179 lbf
Bore Type	Z = Cylindrical Bore
Heat stabilization	S0 = up to 150°
Dimension - d_1	102.9 mm 4.051 inch
Dimension - a	59.2 mm 2.331 inch
Manufacturer Part Code	7216-B-JP-UO
Contact angle - α	40 °
Mounting dimensions - d_a (min.)	91 mm 3.583 inch
Mounting dimensions - D_a (max.)	129 mm 5.079 inch
Mounting dimensions - D_b (max.)	134.4 mm 5.291 inch
Bearing Type	Angular contact ball bearings, single row
Mounting dimensions - r_a (max.)	2 mm 0.079 inch
Mounting dimensions - r_{a1} (max.)	1 mm 0.039 inch
Temperature - T(min)	-30°C
Temperature - T(max)	150°C
Ring Material	GCr15SiMn
Cage	JP = Stamping steel cage
Radial Dynamic Capacity - C_r	84995 N 19106 lbf
Ball Material	GCr15SiMn
Radial Fatigue Capacity - C_{ur}	4787 N 1076 lbf
Equivalent	7216-B-JP-UO,7216B.JP.UO
Lubricant	Without

Tolerance for axial clearance or preload per set - Tol(+)	12 µm
---	-------

What are the applications of the 7216-B-JP-UO bearing?

- **Motor/Machine Tool Spindles:** Used in high-speed motors, electric spindles, and grinding heads. High limiting speed, P5/P4 rotational accuracy ensures smooth machining.
- **Automotive Transmissions:** Used in gearboxes, compressors, and water pumps. Withstands complex loads, high reliability, and adaptable to medium speeds.
- **General Purpose Pumps/Fans:** Used in centrifugal pumps and cooling fans. Compact structure, low friction, long service life, and maintenance-free operation.
- **Light Industry/Textiles:** Used in textile spindles and packaging machinery. High speed, low vibration, suitable for continuous operation.

Tradebearing(TBS): <https://en.tradebearings.com/>

Email: admin@tradebearings.com

Whatsapp/Mob.: +86 15906428604