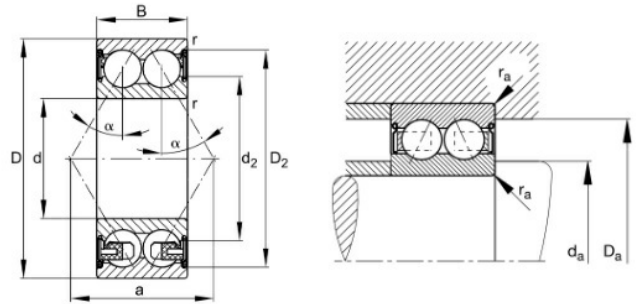


3202-B-2Z-TVH

Angular contact ball bearings Double row sealed



Technical sheet of 3202-B-2Z-TVH

What are the Benefits of choosing 3202-B-2Z-TVH bearings?

- **Bidirectional Load Capacity:** A single bearing can simultaneously withstand bidirectional axial and radial loads, eliminating the need for paired installation.
- **High Rigidity and Anti-Overturning:** A large contact angle design effectively resists tilting moments, ensuring shaft system stability.
- **Compact Structure:** Occupies minimal axial space, simplifying housing design and facilitating installation.

Type :	Double row angular contact ball bearings	
Model :	3202-B-2Z-TVH	
Main demensions :	15 mm × 35 mm × 15.9 mm	Bore Dia × Outside Dia × Width Dia
M kg:	0.064	Mass
HS Code :	8482103000	Bearing customs code
d mm:	15	inner ring diameter
D mm:	35	Outer ring diameter
B(T) mm:	15.9	Overall Width
Cr kN:	12.587	Radial dynamic load rating
C0r kN:	7.394	Radial static load rating
Grease r/min:	18491	Reference speed
Oil r/min:	16680	Limiting speed

Detailed parameters and installation dimensions:

Part Number	3202-B-2Z-TVH
Design Type	B = Bearing without filling slot
Series	32...-BD-XL-2Z-TVH
X-Life	XL
Limiting speed (oil) - n_G	16680 min ⁻¹
Reference speed (grease) - n_B	18491 min ⁻¹
Bearing Mass - m	0.064 kg 0.141 lb
Reference From	FAG 3202-B-2Z-TVH
Dimension Inside - d ϕ	15 mm 0.591 inch
Dimension Outside - D Φ	35 mm 1.378 inch
Dimension Width - B	15.9 mm 0.626 inch
Rows NO.	double
Accuracy class	P6
Dimension - r(min.)	0.6 mm 0.024 inch
Seal	2Z = Gap seals on both sides
Dimension - D ₁	29.35 mm 1.156 inch
Dimension - D ₂	31.13 mm 1.226 inch
Radial static Capacity - C _{0r}	7394 N 1662 lbf
Bore Type	Z = Cylindrical Bore
Heat stabilization	SN = up to 120°
Dimension - d ₁	22.2 mm 0.874 inch
Dimension - d ₂	20.96 mm 0.825 inch
Dimension - a	20.7 mm 0.815 inch
Manufacturer Part Code	3202-BD-2Z-TVH
Contact angle - α	30 °
Mounting dimensions - d _a (min.)	19.2 mm 0.756 inch
Mounting dimensions - D _a (max.)	30.8 mm 1.213 inch
Bearing Type	Angular contact ball bearings Double row sealed
Mounting dimensions - r _a (max.)	0.6 mm 0.024 inch
Temperature - T(min)	-20°C
Temperature - T(max)	120°C
Ring Material	GCr15SiMn
Cage	TVH = Solid polyamide snap cage, ball-guided
Radial Dynamic Capacity - C _r	12587 N 2829 lbf
Ball Material	GCr15SiMn
RIC	CN
Radial Fatigue Capacity - C _{ur}	515 N 115 lbf
Equivalent	3202-B-2Z-TVH,3202-BD-2Z-TVH
Lubricant	GA14 = Ball bearing grease, low noise

What are the applications of the 3202-B-2Z-TVH bearing?

- **Gearboxes/Reducers:** Used in industrial gearboxes and planetary reducers. Withstands bidirectional composite loads, provides high rigidity support, and ensures smooth transmission.
- **Pumps/Compressors:** Used in centrifugal pumps, screw pumps, and refrigeration compressors. Precise axial positioning, compact structure, and space-saving installation.
- **Agitators/Worm Gear Drives:** Used in agitators, worm gear reducers, and machine tool indexing heads. Effectively resists tilting moments; a single bearing solves bidirectional axial positioning.

Tradebearing(TBS): <https://en.tradebearings.com/>

Email: admin@tradebearings.com

Whatsapp/Mob.: +86 15906428604