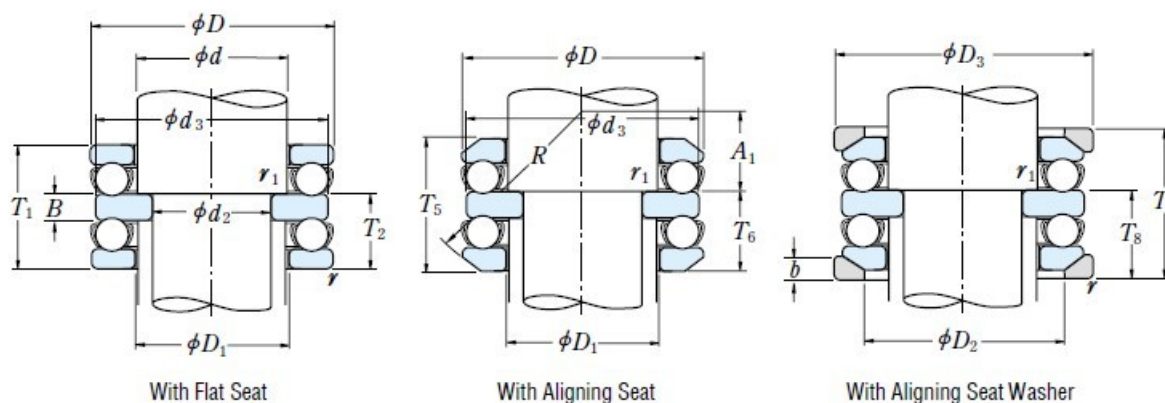


52330X



Technical sheet of 52330X

Type :	Thrust Ball Bearings	
Model :	52330X	
Main demensions :	150 mm × 250 mm × 140 mm	Bore Dia × Outside Dia × Width Dia
M kg:	30.3	Mass
d mm:	150	inner ring diameter
D mm:	250	Outer ring diameter
B(T) mm:	140	Overall Width
Cr kN:	380	Radial dynamic load rating
C0r kN:	1200	Radial static load rating
Grease r/min:	630	Reference speed
Oil r/min:	950	Limiting speed

Tradebearing(TBS): <https://en.tradebearings.com/>

Email: admin@tradebearings.com
 Whatsapp/Mob.: +86 15906428604