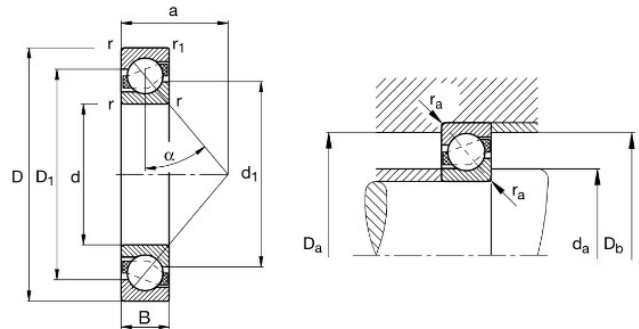


7408-B-MP-UO

Angular contact ball bearings, single row



Technicalsheet of 7408-B-MP-UO

What are the Benefits of choosing 7408-B-MP-UO bearings?

- **High speed and high precision:** Extremely high limiting speed, rotational accuracy reaches P5 level or higher, suitable for precision equipment.
- **Flexible assembly:** A single unit can withstand unidirectional axial and radial forces; bidirectional load-bearing or anti-tipping can be achieved through DB/DF/DT combinations.
- **Compact structure:** Small footprint and light weight, suitable for small and medium-sized equipment.

Type :	Single row angular contact ball bearings	
Model :	7408-B-MP-UO	
Main demensions :	40 mm × 110 mm × 27 mm	Bore Dia × Outside Dia × Width Dia
M kg:	1.364	Mass
HS Code :	8482103000	Bearing customs code
d mm:	40	inner ring diameter
D mm:	110	Outer ring diameter
B(T) mm:	27	Overall Width
Cr kN:	74.985	Radial dynamic load rating
COr kN:	49.986	Radial static load rating
Grease r/min:	4990	Reference speed
Oil r/min:	10895	Limiting speed

Detailed parameters and installation dimensions:

Part Number	7408-B-MP-UO
Design Type	B = Modified internal construction
Series	74..-B-XL-MP
X-Life	XL
Limiting speed (oil) - n_G	10895 min^{-1}
Reference speed (grease) - n_B	4990 min^{-1}
Bearing Mass - m	1.364 kg 3.007 lb
Reference From	FAG 7408-B-MP-UO
Dimension Inside - d ϕ	40 mm 1.575 inch
Dimension Outside - D Φ	110 mm 4.331 inch
Dimension Width - B	27 mm 1.063 inch
Rows NO.	single
Accuracy class	PN
Dimension - r(min.)	2 mm 0.079 inch
Dimension - r_1 (min.)	1 mm 0.039 inch
Seal	Open
Bearing pair	UO = Universal design for mounting in pairs, bearing pair is clearance-free in O and X arrangement
Dimension - D_1	87.6 mm 3.449 inch
Radial static Capacity - C_{0r}	49986 N 11236 lbf
Bore Type	Z = Cylindrical Bore
Heat stabilization	S0 = up to 150°
Dimension - d_1	73.1 mm 2.878 inch
Dimension - a	47.1 mm 1.854 inch
Manufacturer Part Code	7408-B-MP-UO
Contact angle - α	40 °
Mounting dimensions - d_a (min.)	53 mm 2.087 inch
Mounting dimensions - D_a (max.)	97 mm 3.819 inch
Mounting dimensions - D_b (max.)	104.4 mm 4.110 inch
Bearing Type	Angular contact ball bearings, single row
Mounting dimensions - r_a (max.)	2 mm 0.079 inch
Mounting dimensions - r_{a1} (max.)	1 mm 0.039 inch
Temperature - T(min)	-30°C
Temperature - T(max)	150°C
Ring Material	GCr15SiMn
Cage	MP = solid brass cage, ball guided
Radial Dynamic Capacity - C_r	74985 N 16856 lbf
Ball Material	GCr15SiMn
Radial Fatigue Capacity - C_{ur}	3486 N 783 lbf
Equivalent	7408-B-MP-UO,7408B.MP.UO
Lubricant	Without

Tolerance for axial clearance or preload per set - Tol(+)	12 µm
---	-------

What are the applications of the 7408-B-MP-UO bearing?

- **Motor/Machine Tool Spindles:** Used in high-speed motors, electric spindles, and grinding heads. High limiting speed, P5/P4 rotational accuracy ensures smooth machining.
- **Automotive Transmissions:** Used in gearboxes, compressors, and water pumps. Withstands complex loads, high reliability, and adaptable to medium speeds.
- **General Purpose Pumps/Fans:** Used in centrifugal pumps and cooling fans. Compact structure, low friction, long service life, and maintenance-free operation.
- **Light Industry/Textiles:** Used in textile spindles and packaging machinery. High speed, low vibration, suitable for continuous operation.

Tradebearing(TBS): <https://en.tradebearings.com/>

Email: admin@tradebearings.com

Whatsapp/Mob.: +86 15906428604