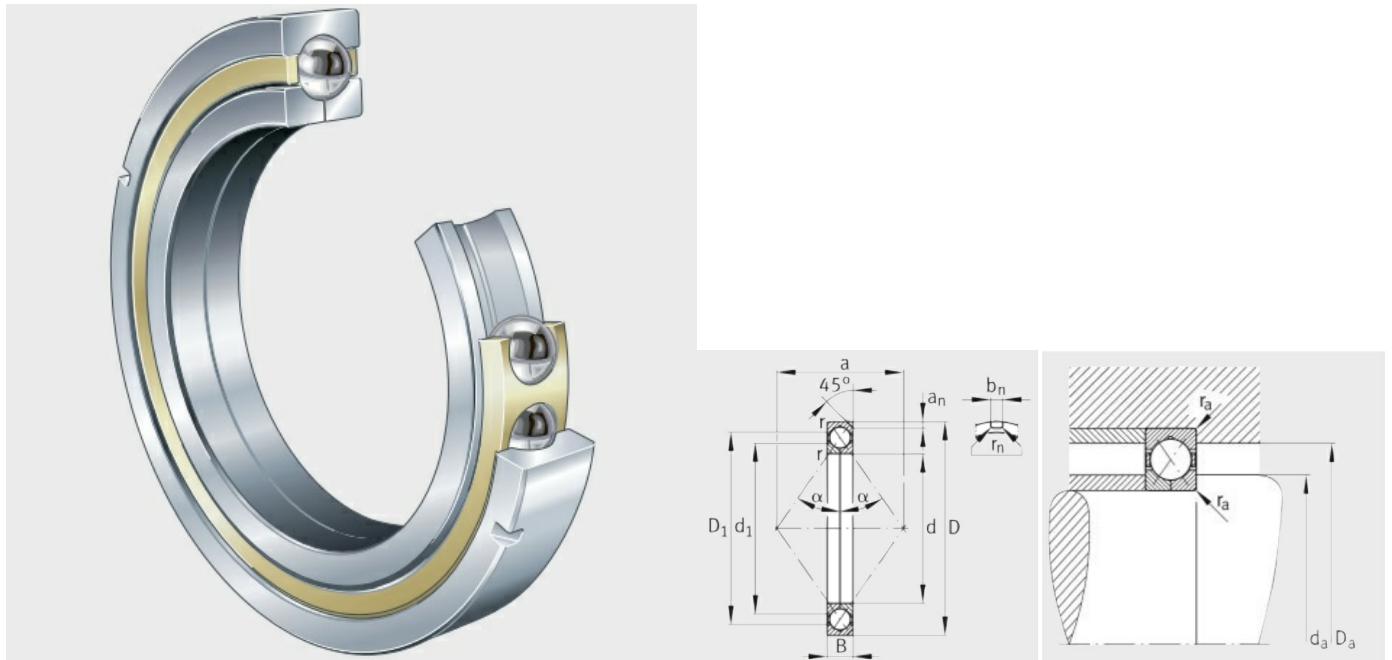


QJ334-N2-MPA

Four point contact bearings, holding grooves



Technical sheet of QJ334-N2-MPA

What are the Benefits of choosing QJ334-N2-MPA bearings?

- **Bidirectional Axial Load Capacity:** A single bearing can withstand bidirectional axial loads, replacing two sets of angular contact ball bearings.
- **Space Saving:** Significantly reduces axial footprint, resulting in a more compact structure.
- **High Axial Rigidity:** Large contact angle design provides high axial stiffness and precise positioning.
- **Economical and Efficient:** Reduces procurement and installation costs.

Type :	Four-point contact ball bearings	
Model :	QJ334-N2-MPA	
Old Code :	QJ334N2MPA	
Main demensions :	170 mm × 360 mm × 72 mm	Bore Dia × Outside Dia × Width Dia
M kg:	38.4	Mass
HS Code :	8482103000	Bearing customs code
d mm:	170	inner ring diameter
D mm:	360	Outer ring diameter

B(T) mm:	72	Overall Width
Cr kN:	583.255	Radial dynamic load rating
C_{0r} kN:	914.166	Radial static load rating
Grease r/min:	1556	Reference speed
Oil r/min:	3160	Limiting speed

Detailed parameters and installation dimensions:

Part Number	QJ334-N2-MPA
RIC	CN
Series	QJ3 series (QJ3..-N2-MPA)
Radial Dynamic Capacity - C _r	583255 N 131115 lbf
Radial static Capacity - C _{0r}	914166 N 205504 lbf
Bearing Mass - m	38.4 kg 84.6566 lb
Bearing Type	Four point contact bearings, holding grooves
Reference speed - n _{θr}	1556 min ⁻¹
Limiting speed - n _G	3160 min ⁻¹
Row NO.	One
Design	N2 = Two retaining slots in outer ring
Radial Fatigue Capacity - C _{ur}	24659 N 5543 lbf
Cage	MPA = Solid brass cage, outer ring guided
Temperature - T(min)	-30 °C
Temperature - T(max)	200 °C
Contact angle - α	35 °
Angle retaining slot	45 °
Dimension Inside - d φ	170 mm 6.6929 inch
Dimension Outside - D Φ	360 mm 14.1732 inch
Dimension Width - B	72 mm 2.8346 inch
Type	QJ
Heat stabilization	S1 = up to 200°C
Accuracy class	PN (ABEC-1)
Dimension - r(min.)	4 mm 0.1575 inch
Dimension - D ₁	292 mm 11.4960 inch
Dimension - d ₁	238 mm 9.3701 inch
Equivalent	QJ334N2MPA
Bore Type	Cylindrical bore
Dimension - a	186 mm 7.3228 inch
Dimension - a _n	12.7 mm 0.5000 inch
Dimension - b _n	10.5 mm 0.4134 inch
Dimension - r _n	2 mm 0.0787 inch
Manufacturer Part Code	QJ334N2MPA
Ring Material	GCr15SiMn
Seal	Open

Mounting dimensions - d_a (min.)	187 mm 7.3622 inch
Mounting dimensions - D_a (max.)	343 mm 13.5039 inch
Mounting dimensions - r_a (max.)	3 mm 0.1181 inch
Ball Material	GCr15SiMn
Units	Metric

What are the applications of the QJ334-N2-MPA bearing?

- **Gearboxes/Compressors:** Used in industrial speed reducers and screw compressors. A single bearing set withstands bidirectional axial forces, resulting in a compact structure.
- **Lifting/Mining:** Used in crane slewing mechanisms and winches. Simultaneously withstands combined loads while saving space.
- **Machine Tools/Automation:** Used in rotary tables and indexing heads. Precise bidirectional positioning and smooth operation.

Tradebearing(TBS): <https://en.tradebearings.com/>

Email: admin@tradebearings.com

Whatsapp/Mob.: +86 15906428604